



Corrosion coupon insertion without source depressurization!

The Direct Drive™ Model 751 coupon holder probe allows a corrosion coupon to be inserted and retracted from a pressurized source through a full port valve without the use of a special insertion device or the force and bulky equipment associated with pneumatic or hydraulic methods. Its adjustable probe depth up to the maximum specified probe length allows precise positioning of the coupon within the pipeline or process.



Technical Specifications	
Maximum pressure rating	NPT: 3750 PSIG Unibody flanged: ANSI classification specific
Maximum temperature	-35°F (-37.2°C) to 225°F (107.2°C)
Port size	Auxiliary: 1/8" female NPT with vent valve installed from the factory
Probe lengths (for other lengths contact the factory)	L: 8", 12", 18", 24", 36", 48" A: ~ 16", 20", 26", 32", 44", 56" (refer to L & A dimensions on back)
Process connection	3/4", 1", 1.5" NPT or unibody flanged (1" NPT or larger process connection required for welding)
Valve requirement (customer provided)	Straight-through path with minimum bore of 0.75" (1.91 cm)
Wetted materials	Machined parts: 316/316L stainless steel / NACE compliant and Kevlar® threaded bushing All other metal parts: stainless steel / NACE compliant Sealing material: PTFE/Neoprene rubber standard
Coupon attachment tip (refer to dimensions on back)	Standard tip accepts 1/16" thick flat coupon (Customer supplied coupon-not included)

Product Brief

Applications

- Corrosion coupon insertion and extraction from a pressurized system
- Gas sampling of mixtures containing less than 30% hydrogen

Benefits

- Easy, quick, safe insertion and extraction from a pressurized source without a special insertion device
- Field serviceable packing gland
- Standard coupon attachment tip can be modified to fit other coupon types
- Velocity tested at CEESI flow lab up to 200 ft/sec

Features

- Patented insertion method
- Patented harmonic resonance dampening design
- Adjustable length with threaded or flanged process connection
- Proprietary antifricition coating with internal thread die
- Optional speed wrench for faster installation

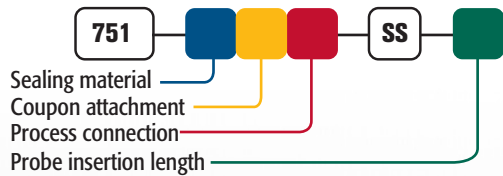


Model Numbering & Additional Part Numbers

Your model number is determined by your specific needs. Choose options below.

Sealing material	0 = PTFE/Neoprene rubber	J = RGD resistant HNBR	(other materials available upon request)
Coupon attachment	1 = Standard 1/16" flat coupon	(other coupon connections available upon request)	
Process connection	3 = 3/4" NPT	4 = 1" NPT	6 = 1.5" NPT
Probe insertion length	8, 12, 18, 24, 36, 48 inches		
Sealing material replacement	Part # 75X-570	(sold separately - contains Teflon®/Neoprene seals)	
Coupon mounting replacement	Part # 751-TI-1	(sold separately - contains 10/32 mounting screws & Teflon® inserts)	
Speed wrench	Part # ACC-SW	(sold separately)	

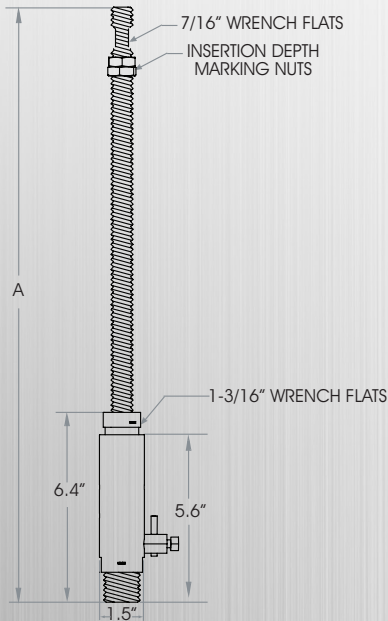
How to build the model number:



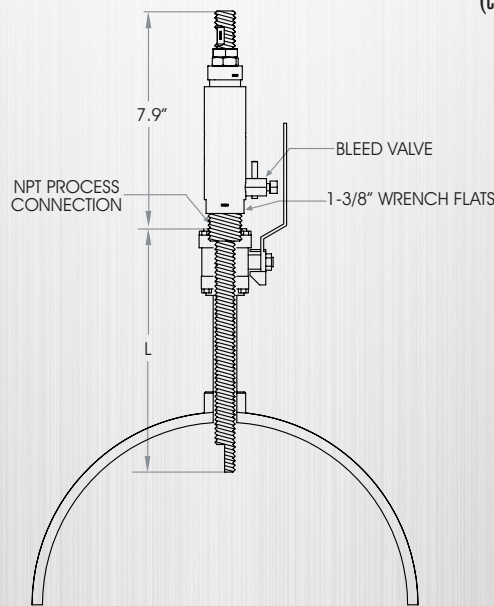
Not designed for external fire. Prior to use in a system, a properly sized relief device is to be installed which limits the use to 110% of the MAWP.

Dimensions

Uninstalled

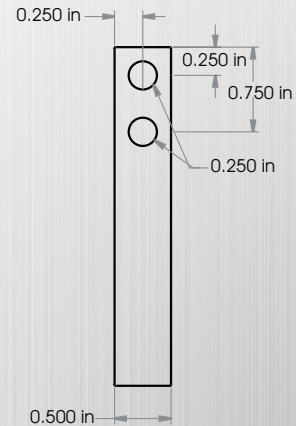


Installed



Standard Coupon Size

(customer supplied coupon-not included)



Local Distributor

A+ Corporation is the leader in Analytically Correct™ Sample Extraction and Conditioning Systems.

Contact us for expert product application assistance.

sales@geniefilters.com > 225.644.5255 > Fax 225.644.3975

41041 Black Bayou Road, Gonzales, LA 70737 An ISO 9001:2008 Certified Company

U.S. Patents 6,904,816; 8,522,630; 9,200,986. Genie®, Genie® Membrane Probes®, are trademarks or registered trademarks of A+ Corporation, LLC. All other referenced trademarks are the property of their respective owners. © 2012 A+ Corporation. All rights reserved. SCC-751-PS_082219