



## The safest and most versatile non-membrane tip probes available on the market!

The Direct Drive™ Model 760 is an adjustable length probe without a membrane tip. It can be used to sample liquids, gases that do not require a membrane or contain more entrained liquid than a membrane can handle, or high temperature gases. The 760 can be safely inserted into pressurized sources up to 3750 PSIG. Unlike other competitive insertion probes that require brute physical force or hydraulics applied to the backside of the probe for insertion, this probe is easily installed through a full port valve using either an open end or speed wrench.

The 760 probe is offered with both threaded and flanged process connections, exotic materials of construction, and optional coatings from Silcotek™. The Model 760 can be mounted vertically or horizontally, and its installation process is simple and straight forward. Many features of the 760 combine to make it the safest, most durable probe available on the market. It's unique, one-piece body design with double mechanical safety interlocks to prevent the probe from self-retracting under any failure scenario. A proprietary anti-friction coating provides smooth insertion of the probe without galling or cross threading. A thread die cleans the probe's threads to ensure proper engagement with mating parts, providing for a smooth retraction even after extended periods of service. A low internal volume option is available for trace measurement applications or for vaporizing a liquid sample at the tap.



Low Volume Flanged Option

### Technical Specifications

<b>Maximum pressure rating</b>	NPT: 3,750 psig (258.6 Bar) Unibody flanged: ANSI classification specific
<b>Temperature ranges</b> (for temperatures above 225°F, contact the factory)	Up to 300 °F (148.9°C) with non-standard seals -35 °F (-37.2 °C) to 225 °F (107.2 °C)
<b>Port sizes</b>	Standard Outlet: Hex socket adapter with 1/4" female NPT ball valve Auxiliary: 1/8" female NPT (plugged from factory)
<b>Probe lengths</b> (for other lengths contact the factory)	L: 8", 12", 18", 24", 36", 48" (refer to dimensions on back)
<b>Process connection requirements</b>	3/4", 1", or 1.5" NPT full opening threaded or flanged valve* *Ball, gate, and double block and bleed valves are all suitable for use as long as inner diameter is not less than 3/4". 1" NPT or larger process connection required for welding.
<b>Wetted materials</b> (for exotic materials of construction or Silcotek™ coatings, contact the factory)	*Machined parts: 316/316L stainless steel /NACE compliant and Kevlar® threaded bushing All other metal parts: stainless steel / NACE compliant Sealing material: PTFE/Neoprene rubber standard *Other materials available on request.

### Product Brief

#### Applications

- Liquid sampling from a pressurized source
  - Light liquid hydrocarbons
  - Various petrochemical and refinery liquids (consult factory)
- Gas sampling in the natural gas, refinery, and petrochemical industries
- Gas sampling of mixtures containing less than 30% hydrogen

#### Benefits

- Easy, quick, and safe insertion and extraction from pressurized systems without a special insertion device
- Horizontal or vertical mounting
- Probe design prevents harmonic oscillations from occurring
- Long service life
- Easy maintenance in the field

#### Features

- Unique, one piece body design with threaded or flanged connections
- Adjustable length
- Proprietary antifriction coating with internal thread die
- Non-rigid probe connection/seal provides mechanical dampening between probe and probe base
- Speed wrench for faster installation



geniefilters.com

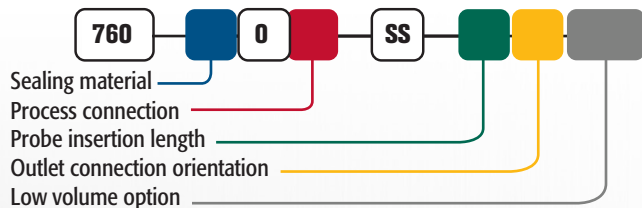
# Model Numbering & Additional Part Numbers

Your model number is determined by your specific needs. Choose options below.

<b>Sealing material</b>	0 = PTFE/Neoprene rubber	J = RGD resistant HNBR	(other materials available upon request)
<b>Process connection</b>	3 = 3/4" NPT	4 = 1" NPT	6 = 1.5" NPT (contact factory for flanged options)
<b>Probe insertion length</b>	8, 12, 18, 24, 36, 48 inches (24" maximum for exotic materials)		
<b>Outlet connection orientation</b>	Blank = Angled	V = Straight	
<b>Low volume option</b>	Blank = none	LV1 = 1/8" tubing	
<b>Sealing material replacement</b>	Part # 760-570	(standard seals, sold separately)	
<b>Speed wrench</b>	Part # ACC-SW	(sold separately)	
<b>Optional gauge</b>	Part # ACC-Q14KC	(0-4,000 psig) (sold separately)	

## How to build the model number:

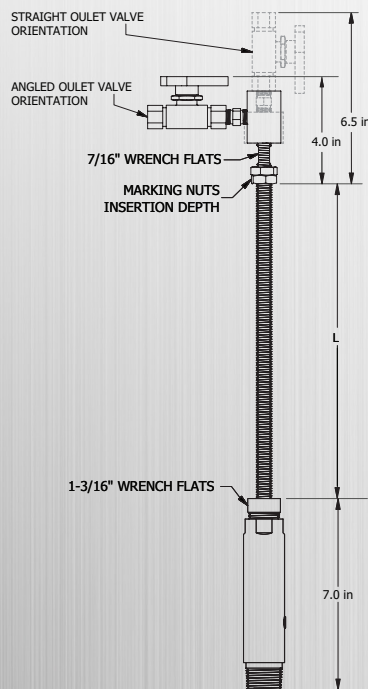
(If ordering a non-standard 760 for use with our 133 probe assembly, contact the factory.)



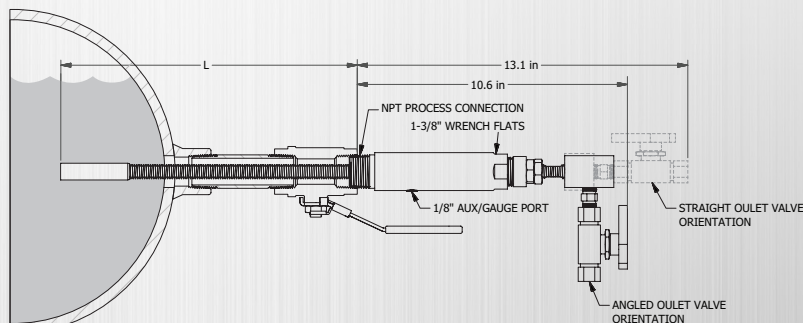
Not designed for external fire. Prior to use in a system, a properly sized relief device is to be installed which limits the use to 110% of the MAWP.

## Dimensions

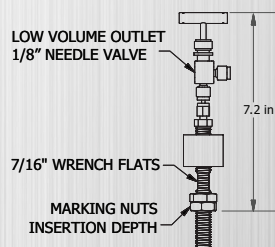
### Uninstalled



### Installed



### LOW VOLUME OPTION



Local Distributor

A+ Corporation is the leader in Analytically Correct™ Sample Extraction and Conditioning Systems.

Contact us for expert product application assistance.

[sales@geniefilters.com](mailto:sales@geniefilters.com) > 225.644.5255 > Fax 225.644.3975

41041 Black Bayou Road, Gonzales, LA 70737 An ISO 9001:2008 Certified Company

U.S. Patents 6,904,816; 8,522,630; 9,200,986. Genie®, Genie® Membrane Probes®, are trademarks or registered trademarks of A+ Corporation, LLC. All other referenced trademarks are the property of their respective owners. © 2012 A+ Corporation. All rights reserved. SCC-760-PS\_092419