

# AVENGER™ 91

## Particulate & Coalescing Filter

### High performance filters providing the utmost flexibility for coalescing/particulate filtration needs!

The Avenger™ 91 Filters provide the utmost in flexibility for your coalescing and particulate filtration needs. The conventional 3-port model is a direct replacement for competitive vertically mounted sample filters. However, the 5-port model, with its two different porting configurations allows for greater mounting and application flexibility. These filters were specifically designed for analyzer sample conditioning applications by analyzer sample conditioning specialists.



#### Technical Specifications

Maximum pressure rating	3,750 psig
Maximum temperature	302°F (150°C)
Element size	Outside Diameter: ~ 0.85" Inside Diameter: ~ 0.5" Length: ~ 2.3"
Element types	07CFS = coalescer fluorocarbon (99.97%*) 07PI = particulate inorganic (99.97%*) 07PF = particulate fluorocarbon (99.97%*) 11PF = particulate fluorocarbon (95.0%*) SS10A = sintered stainless steel (10 micron) SS100A = sintered stainless steel (100 micron) *% of 0.1 micron particles retained
Port sizes	1/4" female NPT
Number of ports	3 or 5
Internal volume	27 cc
Wetted materials	Machined parts: 316/316L stainless steel / NACE compliant All other metal parts: stainless steel / NACE compliant Sealing material: Fluoroelastomer standard

#### Product Brief

##### Applications

- Continuous sampling in any process industry including natural gas, petrochemical, and oil refining.
- Analyzer protection against micron and sub-micron particles

##### Benefits

- Helps preserve sample integrity
- Analyzer protection
- Quick and easy to install and maintain
- Quick and easy element inspection
- Economical
- Flexible installation configuration

##### Features

- 3 or 5 port configuration
- Can be mounted horizontally or vertically
- All primary connection ports on the head

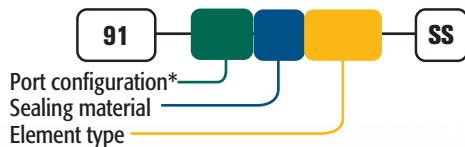


# Model Numbering & Additional Part Numbers

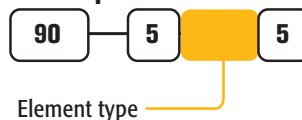
Your model number is determined by your specific needs. Choose options below.

<b>Port configuration*</b>	2/1 = 3 port (2 outer, 1 center)	4/1 = 5 port (4 outer, 1 center)	3/2 = 5 port (3 outer, 2 center)
<b>Sealing material</b>	0 = Fluoroelastomer	1 = Perfluoroelastomer	(other materials available upon request)
<b>Element type</b>	07CFS = 0.1 micron coalescer fluorocarbon	SS10A = 10 micron stainless steel	SS100A = 100 micron stainless steel
	07PI = 0.1 micron particulate inorganic	XX = no element	
	07PF = 0.1 micron particulate fluorocarbon		
	11PF = 0.1 micron particulate fluorocarbon		
<b>Mounting bracket accessory</b>	Vertical part # = 90-509-SS-V	Horizontal part # = 90-509-SS-H	

## How to build the model number:

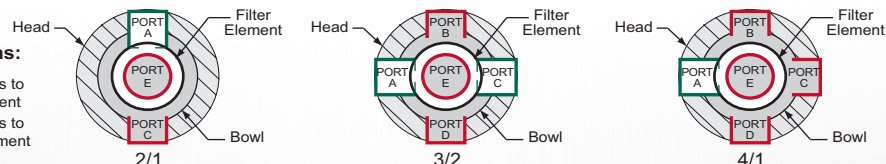


## How to build the replacement filter element number:



### \*Port Configurations:

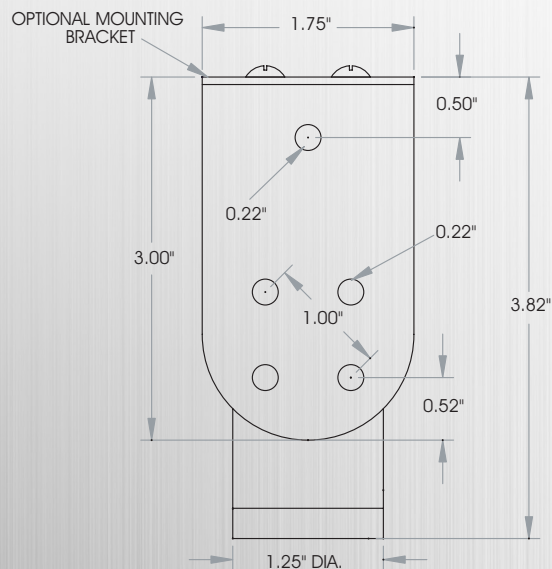
- Communicates to inside of element
- Communicates to outside of element



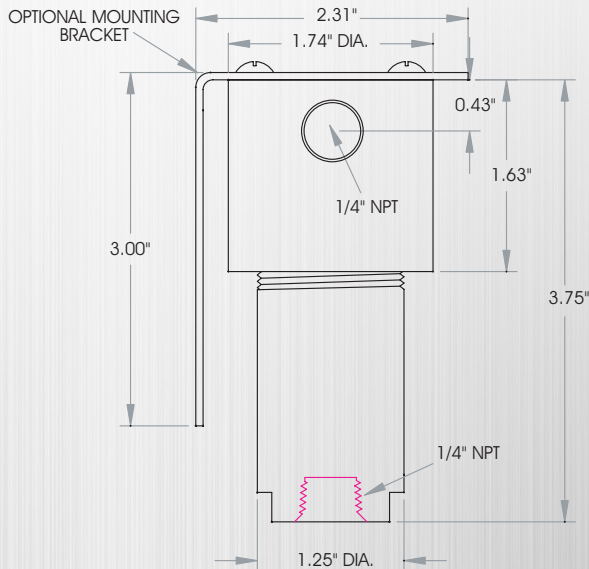
Not designed for external fire. Prior to use in a system, a properly sized relief device is to be installed which limits the use to 110% of the MAWP.

# Dimensions

## Back View



## Side View



Local Distributor

A+ Corporation is the leader in Analytically Correct™ Sample Extraction and Conditioning Systems.

Contact us for expert product application assistance.

[sales@geniefilters.com](mailto:sales@geniefilters.com) > 225.644.5255 > Fax 225.644.3975

41041 Black Bayou Road, Gonzales, LA 70737 An ISO 9001:2008 Certified Company

U.S. Patents 5,476,586; 7,097,693. Genie®, Avenger™, Liquid Block™, and Genie® Membrane Technology™ are trademarks or registered trademarks of A+ Corporation, LLC. All other referenced trademarks are the property of their respective owners. © 2012 A+ Corporation. All rights reserved. SCC-Avenger91-PS\_0116